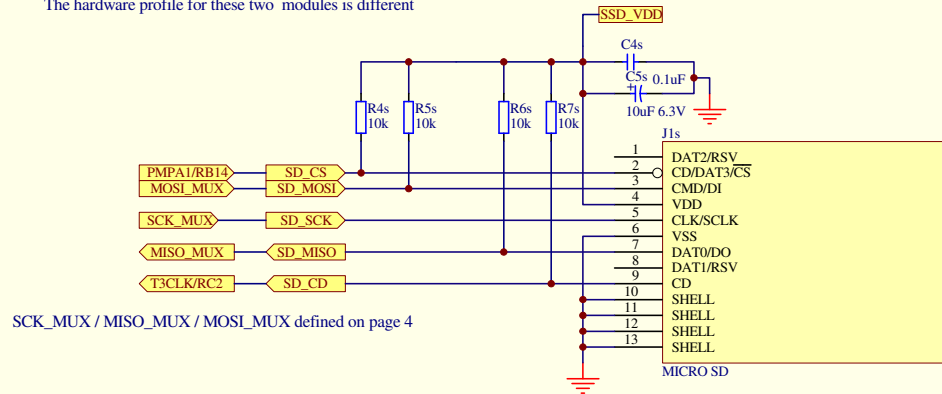
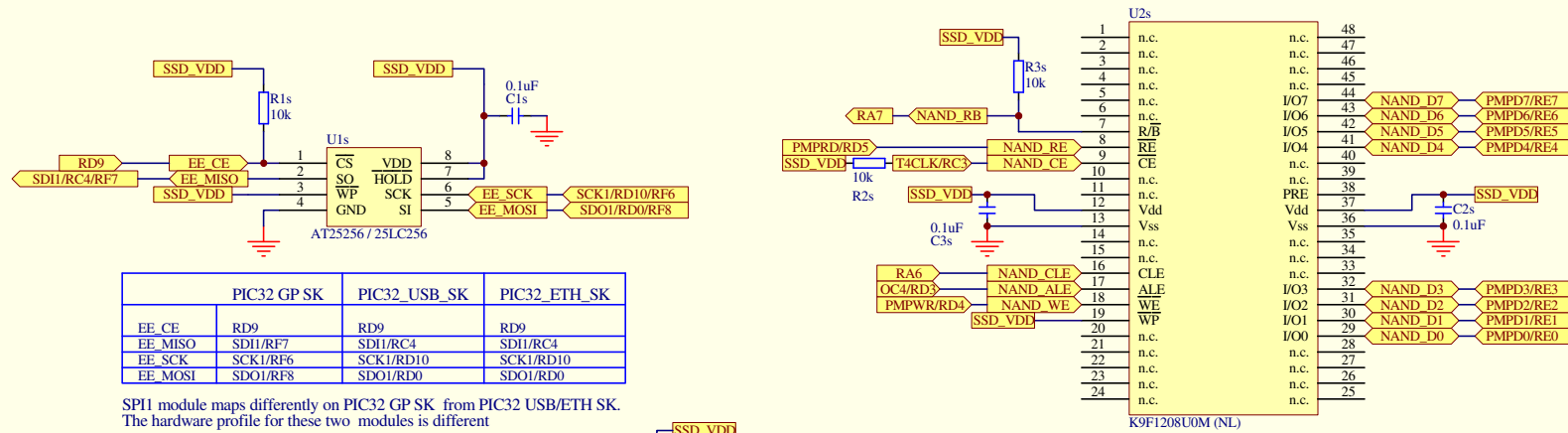


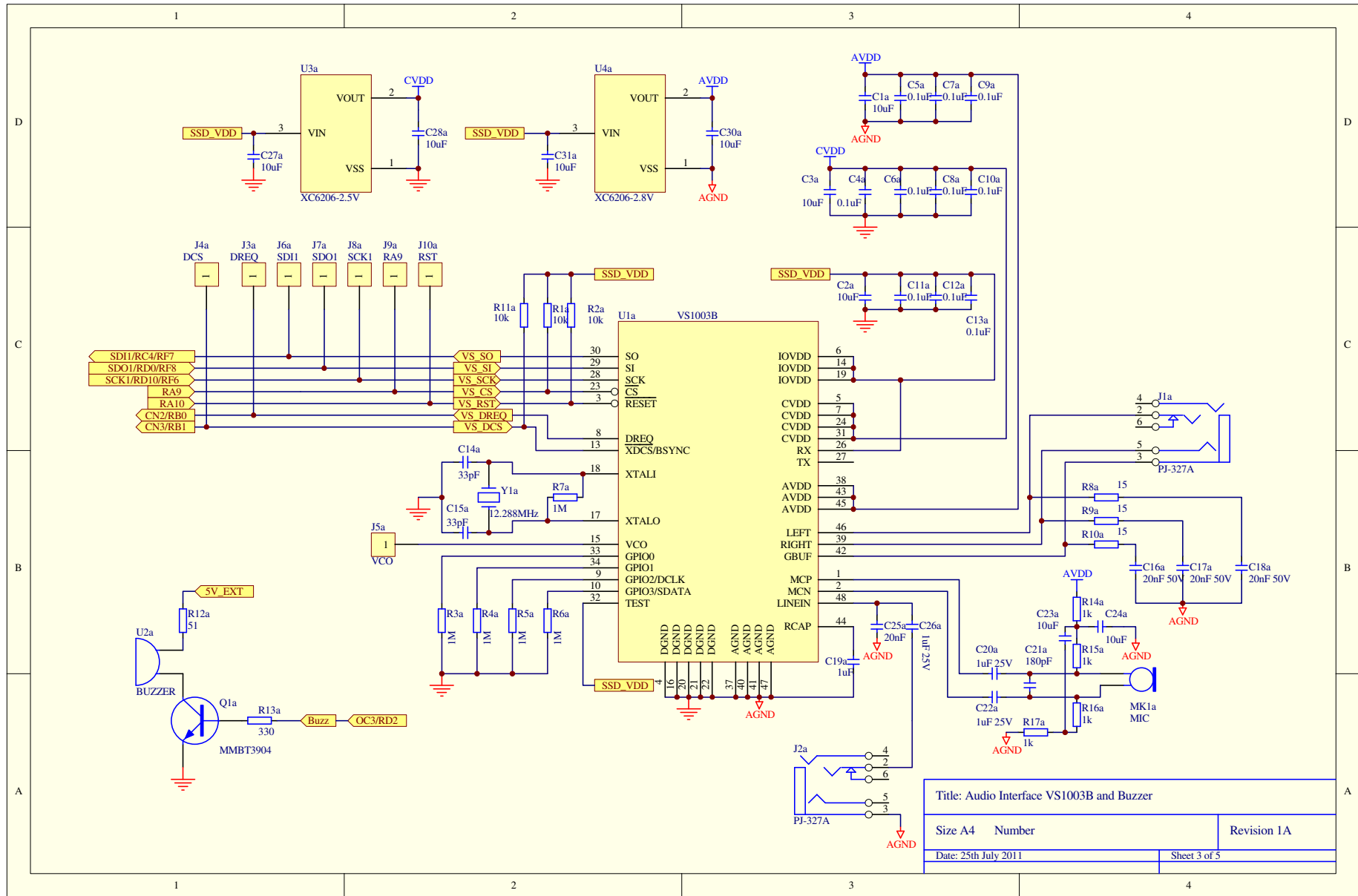
Title: FX10A-120S Socket for PIC32 Starter Kits and expansion ports		
Size A4	Number	Revision 1A
Date: 25th July 2011		Sheet 1 of 5

EEPROM and NANDFLASH Interface

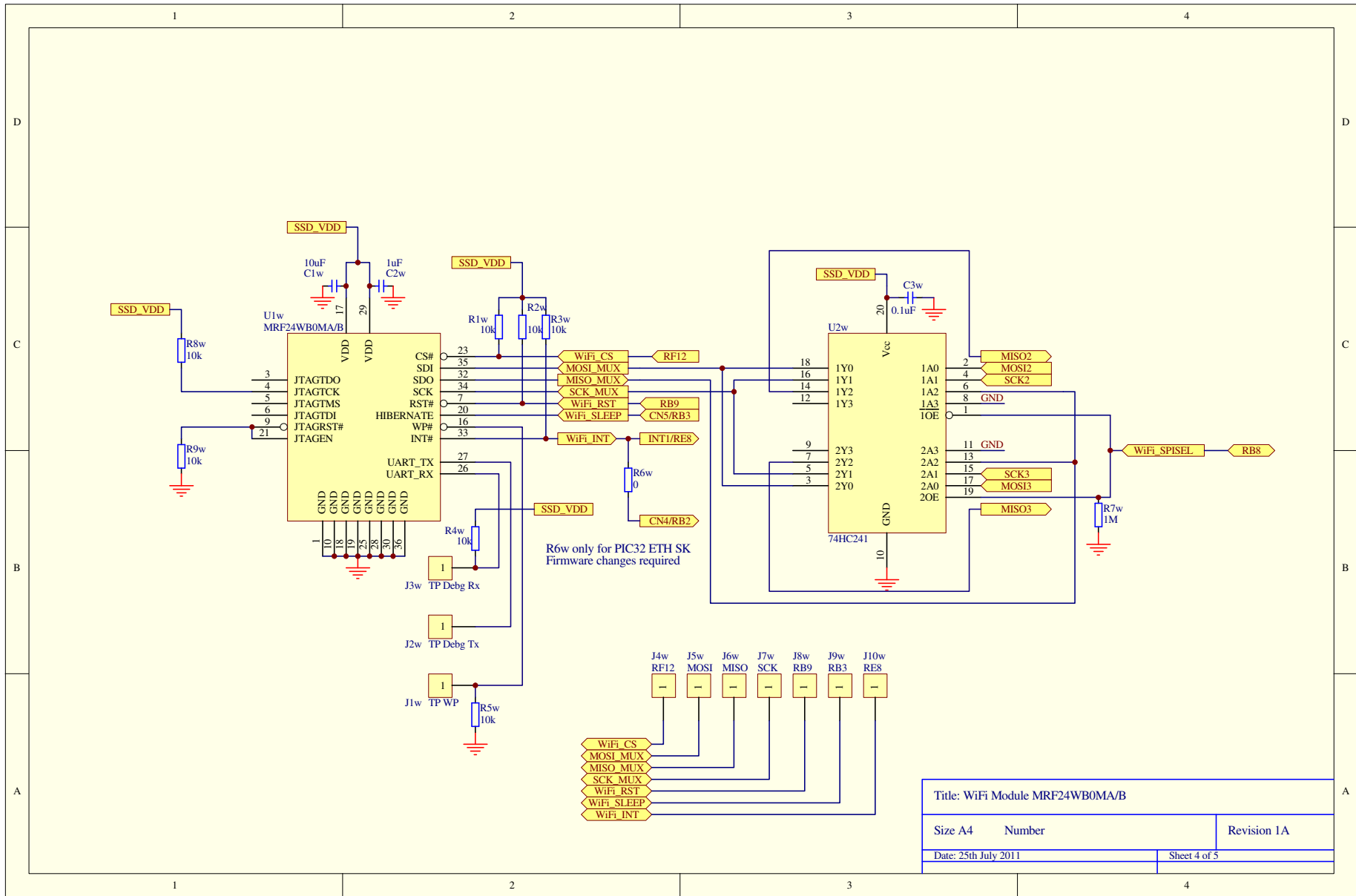


Title: EEPROM and MicroSD card socket

Size A4	Number	Revision 1A
Date: 25th July 2011		Sheet 2 of 5

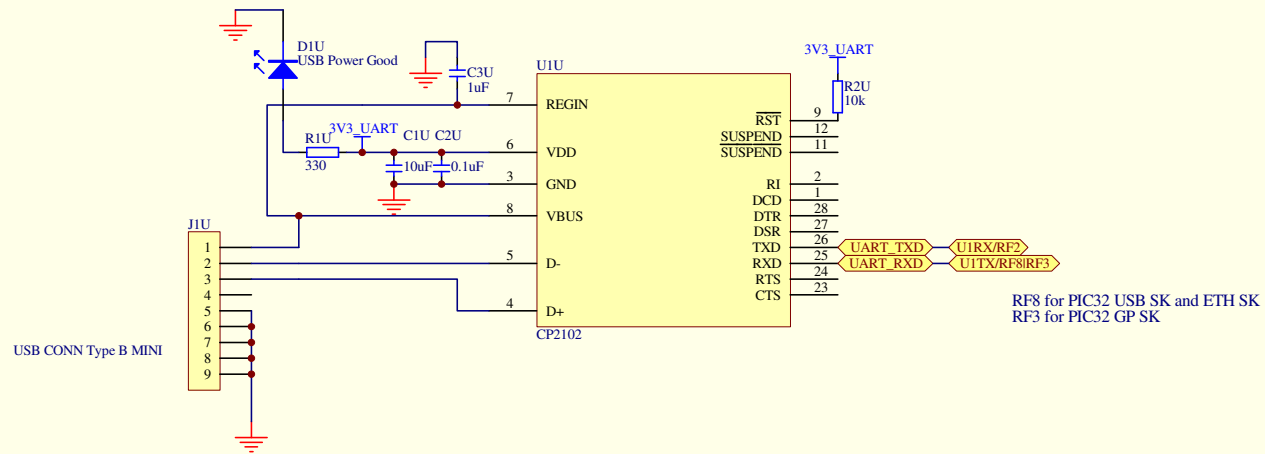


Title: Audio Interface VS1003B and Buzzer		
Size A4	Number	Revision 1A
Date: 25th July 2011		Sheet 3 of 5



Title: WiFi Module MRF24WB0MA/B		
Size A4	Number	Revision 1A
Date: 25th July 2011		Sheet 4 of 5

USB<->UART bridge for debug and monitoring



Title: USB to UART Bridge		
Size A4	Number	Revision 1A
Date: 25th July 2011		Sheet 5 of 5