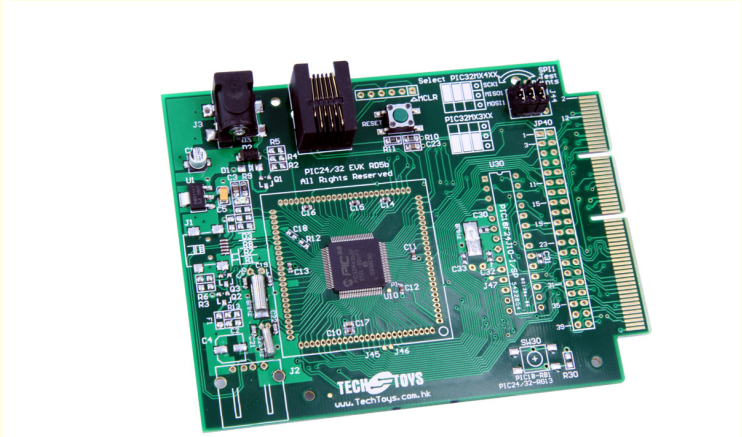
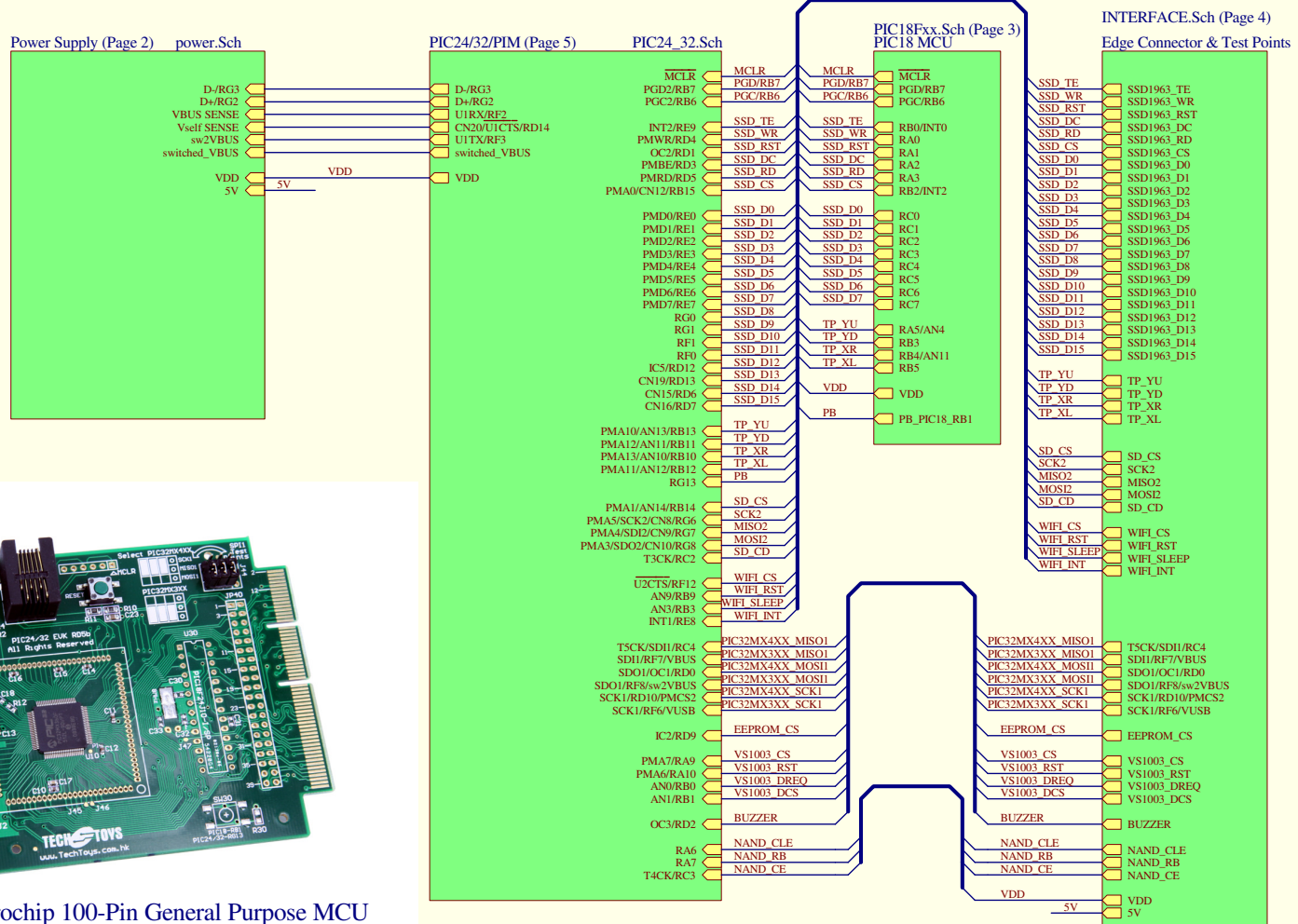
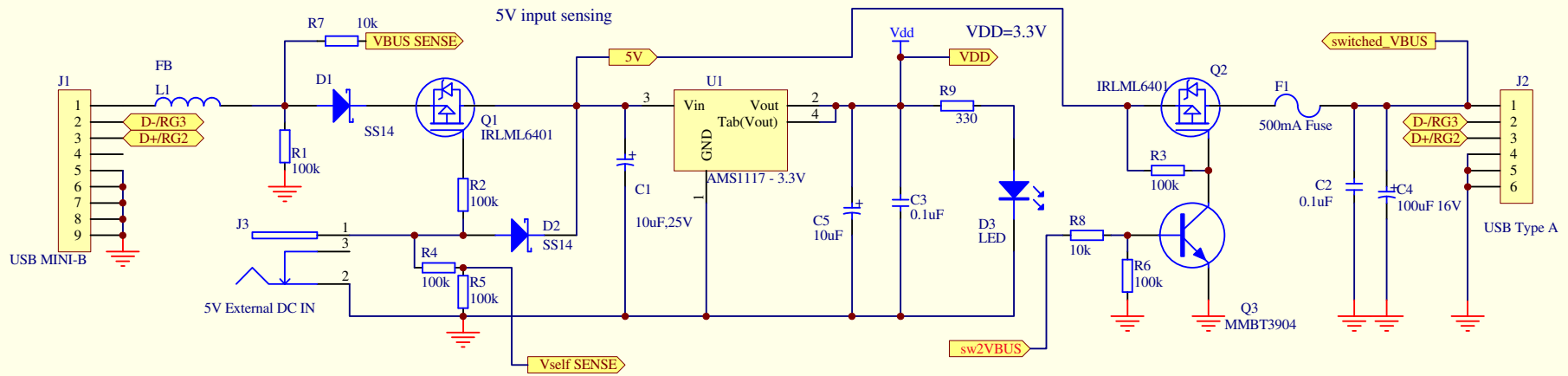


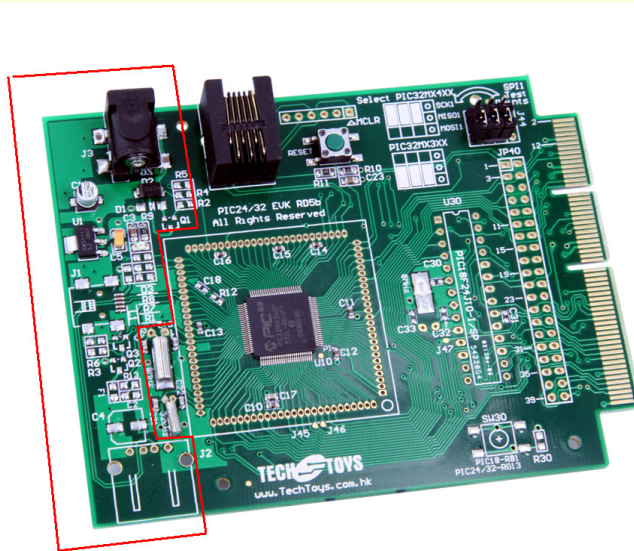
# Block Diagram



Evaluation board for Microchip 100-Pin General Purpose MCU



USB sockets and relevant components loaded for USB MCU only



Title : Evaluation board for Microchip 100-Pin General Purpose MCU

Size : A4

Power

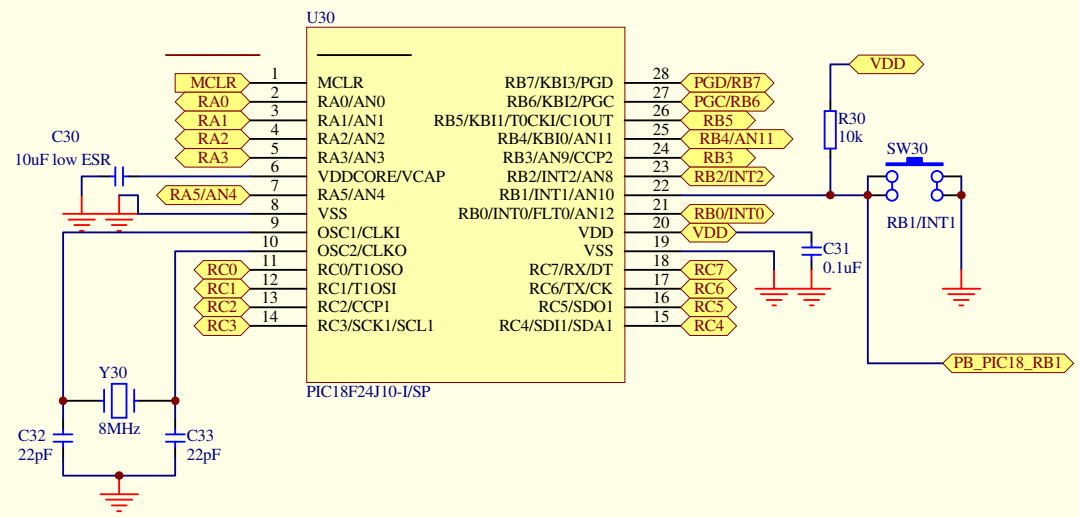
Revision : D5b

Date: 25th Aug 2012

Sheet 2 of 5

Drawn by : TechToys Company @ www.TechToys.com.hk

All components on this page are not soldered by default



Title : Evaluation board for Microchip 100-Pin General Purpose MCU		
Size : A4	PIC18 MCU 28PDIP	Revision : D5b
Date: 25th Aug 2012	Sheet 3 of 5	
Drawn by : TechToys Company @ www.TechToys.com.hk		

Pin1-2 : PIC32MX3xx series

Pin2-3 : PIC32MX4xx series

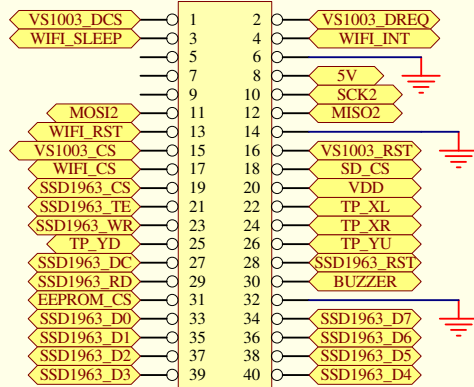
SCK1 SELECT

MISO1 SELECT

MOSI1 SELECT

Test Points SPI1

JP40  
Test Points

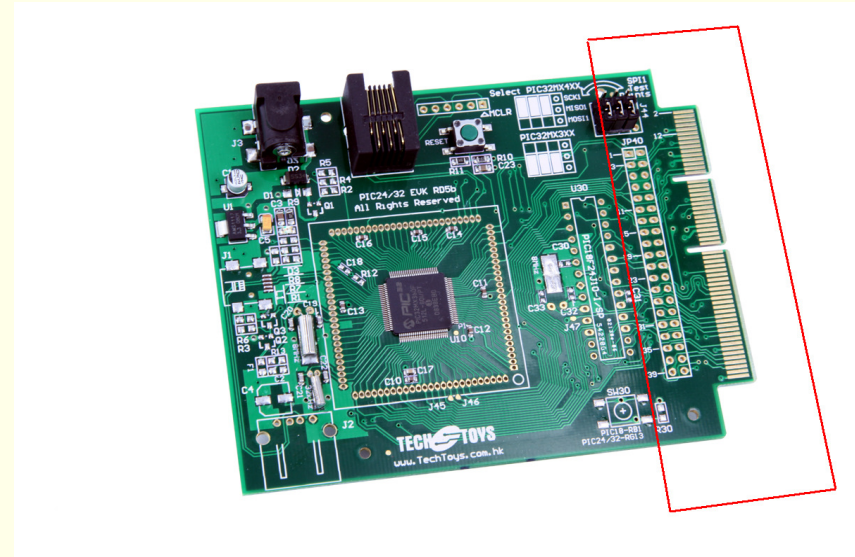


J45  
NAND\_CLE

J47  
NAND CE

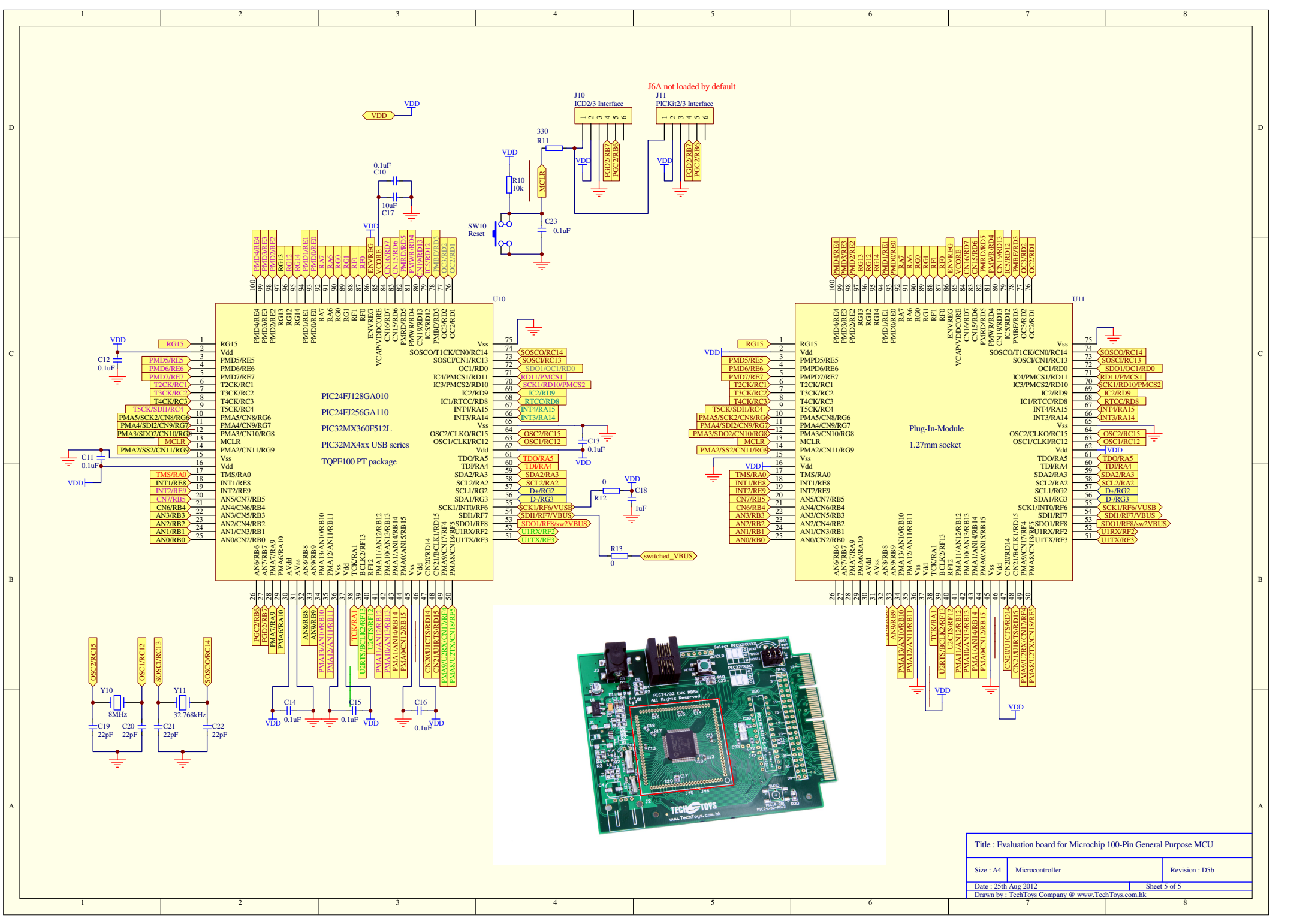
J46  
NAND\_RB

Card for MEC1-160-02-X-D-EMX



Edge connector J42 designed in compliance with Samtec MEC1-160-02-X-D-EMX mini-edge card socket  
<http://www.samtec.com/ProductInformation/TechnicalSpecifications/Overview.aspx?series=MEC1>

Title : Evaluation board for Microchip 100-Pin General Purpose MCU		
Size : A4	Edge Connector and Test Points	Revision : D5b
Date: 25th Aug 2012	Sheet 4 of 5	
Drawn by : TechToys Company @ www.TechToys.com.hk		



Title : Evaluation board for Microchip 100-Pin General Purpose MCU		
Size : A4	Microcontroller	Revision : D5b
Date : 25th Aug 2012		Sheet 5 of 5
Drawn by : TechToys Company @ www.TechToys.com.hk		