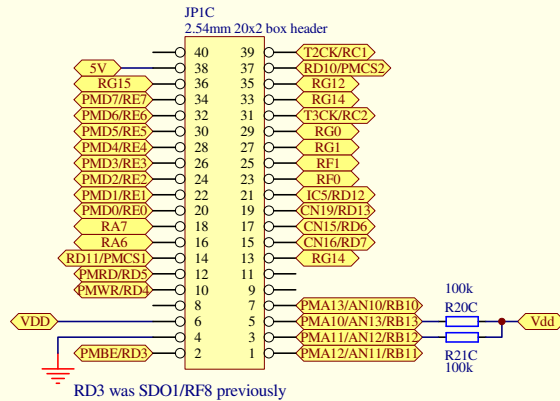


Title : Microcontroller Module		
Size : A3	All Rights Reserved	PIC2403-EVK-MCU
Date : 1st June 2011	Sheet 1 of 4	Revision : D1
Drawn By : TechToys Company (www.TechToys.com.hk)		

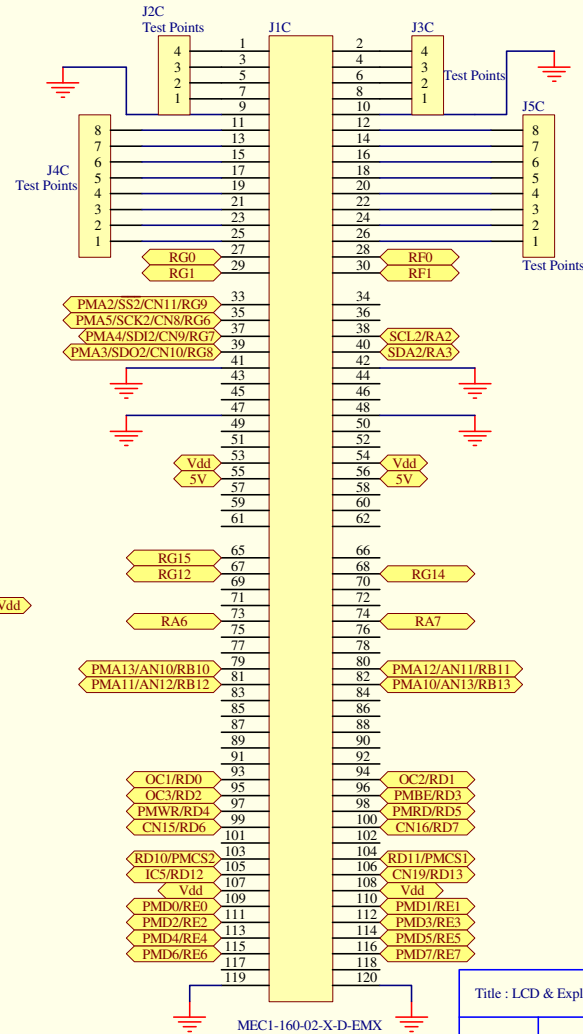
LCD Interface
 TechToys Company
 www.TechToys.com.hk
 All Rights Reserved



(Pls refer to schematics of LCD modules from our web site at www.TechToys.com.hk)

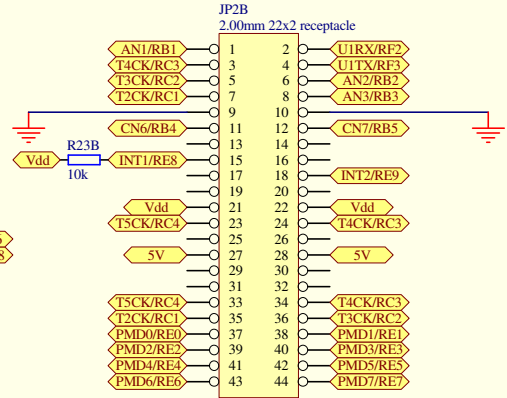
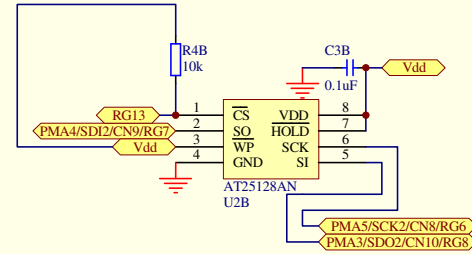
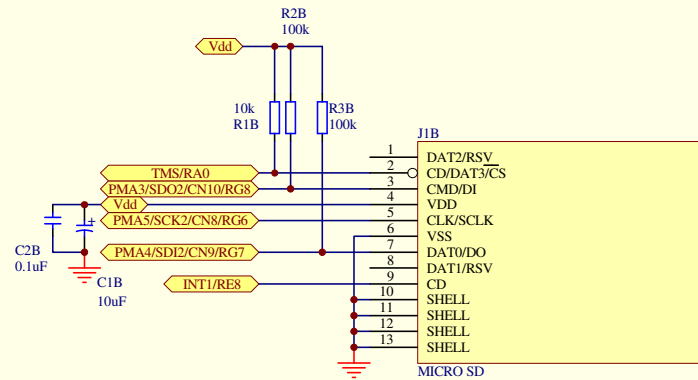
Compatible LCD modules :

- 1) 2.8" QVGA TFT LCD with Touch Panel on PCB
- 2) SSD1928 EVK for 3.5" TFT and CMOS camera apps
- 3) SSD1963EVK-R3B for 4.3", 5", and 7" TFT

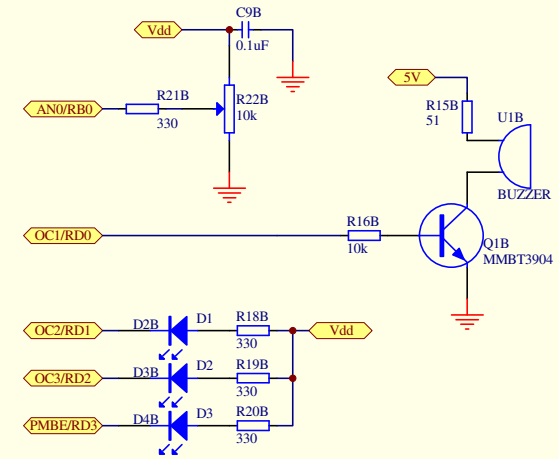
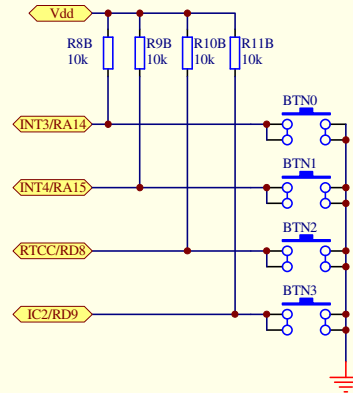
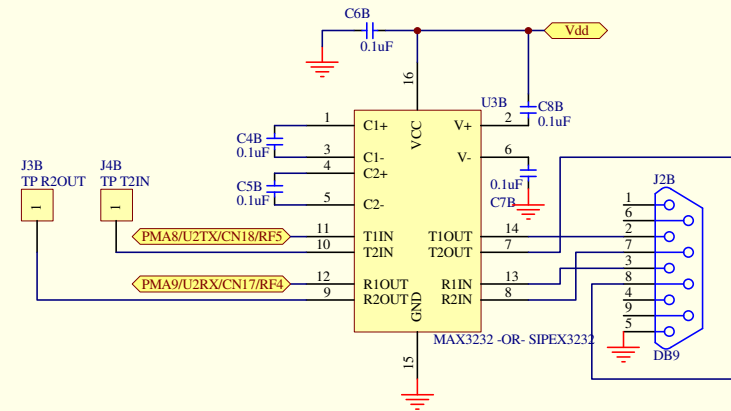


Title : LCD & Explorer 16 compatible interfaces

Size : A4	All Rights Reserved	PIC24/32-EVK LCD Revision : D4
Date : 1st June 2011	Sheet 3 of 4	
Drawn by : TechToys Company (www.TechToys.com.hk)		



TechToys Company
www.TechToys.com.hk
All Rights Reserved



Title : Xtension		
Size : A4	All Rights Reserved	PIC24/32-EVK Xtension Revision : D4
Date : 1st June 2011	Sheet 4 of 4	
Drawn by : TechToys Company (www.TechToys.com.hk)		