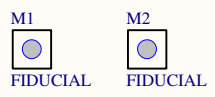
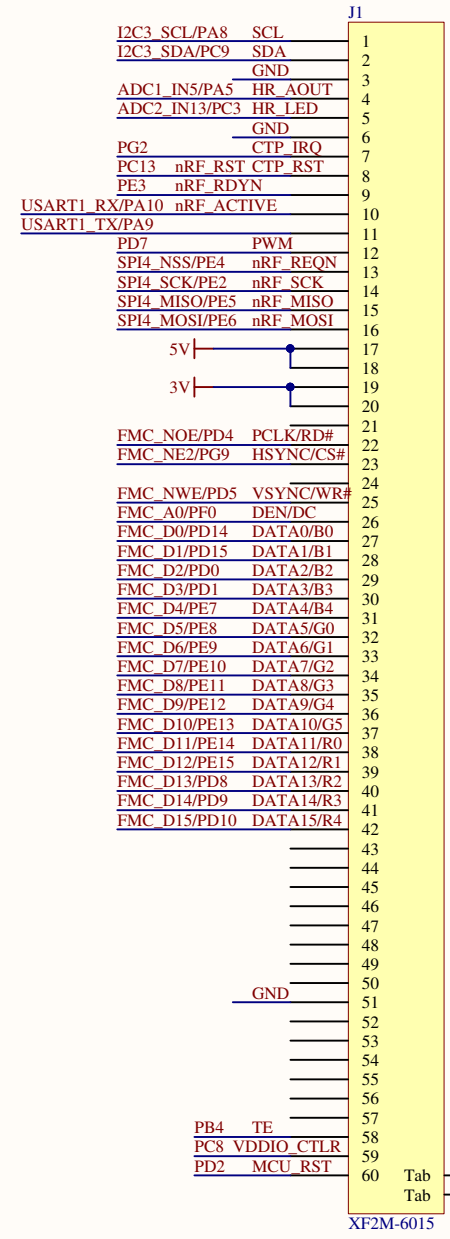
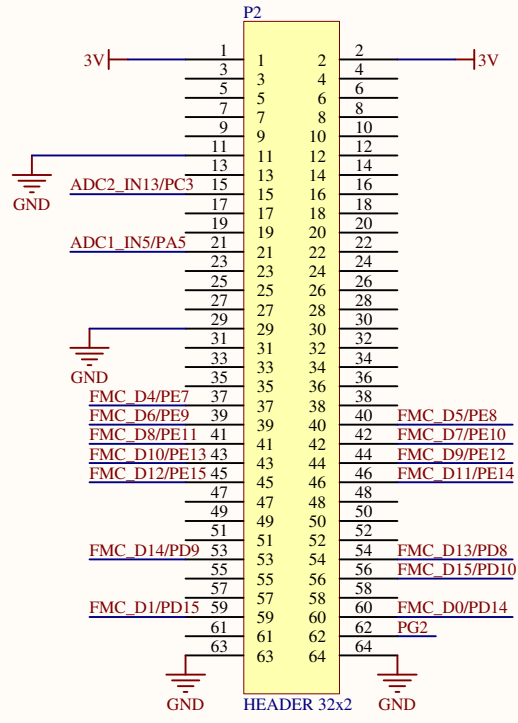
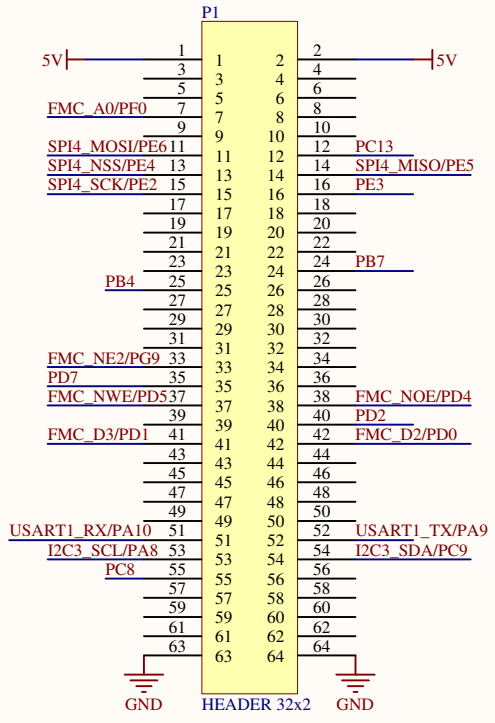


Pin headers compatible with STM32F429-Discovery Kit



Title * Adapter for STM32F429I Discovery Kit			* www.TechToys.com.hk
Size: A4	Number:*	Revision:* 20160128	
Date: 2/22/2016	Time: 3:57:21 PM	Sheet *1 of * 1	
File: D:\projects\SSD1963 EVK R4A\AD\STM32F429_DISCO_MipiTouch_IFMF_Board_TopStack_D2805.SchDoc			