

STANDARD GRAPHIC MODULES

JHD12864G SERIES

CHARACTERISTICS

DISPLAY CONTENT: 128 x 64 DOTS

DRIVING MODE: 1/64D

AVAILABLE TYPES:

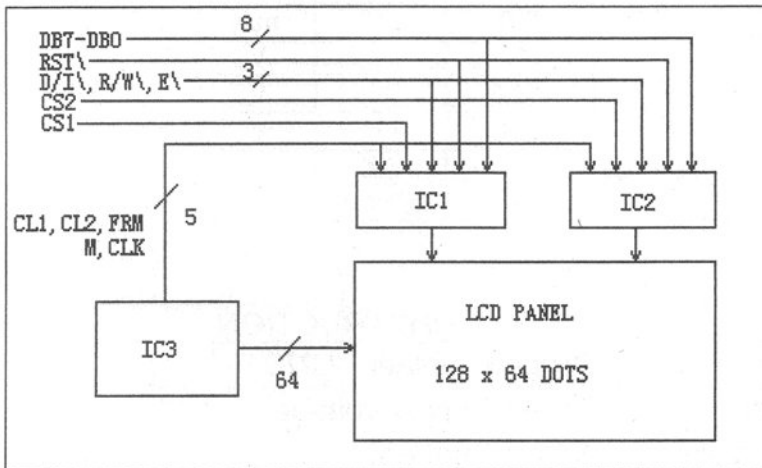
STN(YELLOW GREEN, GREY, B/W)

REFLECTIVE, WITH EL OR LED

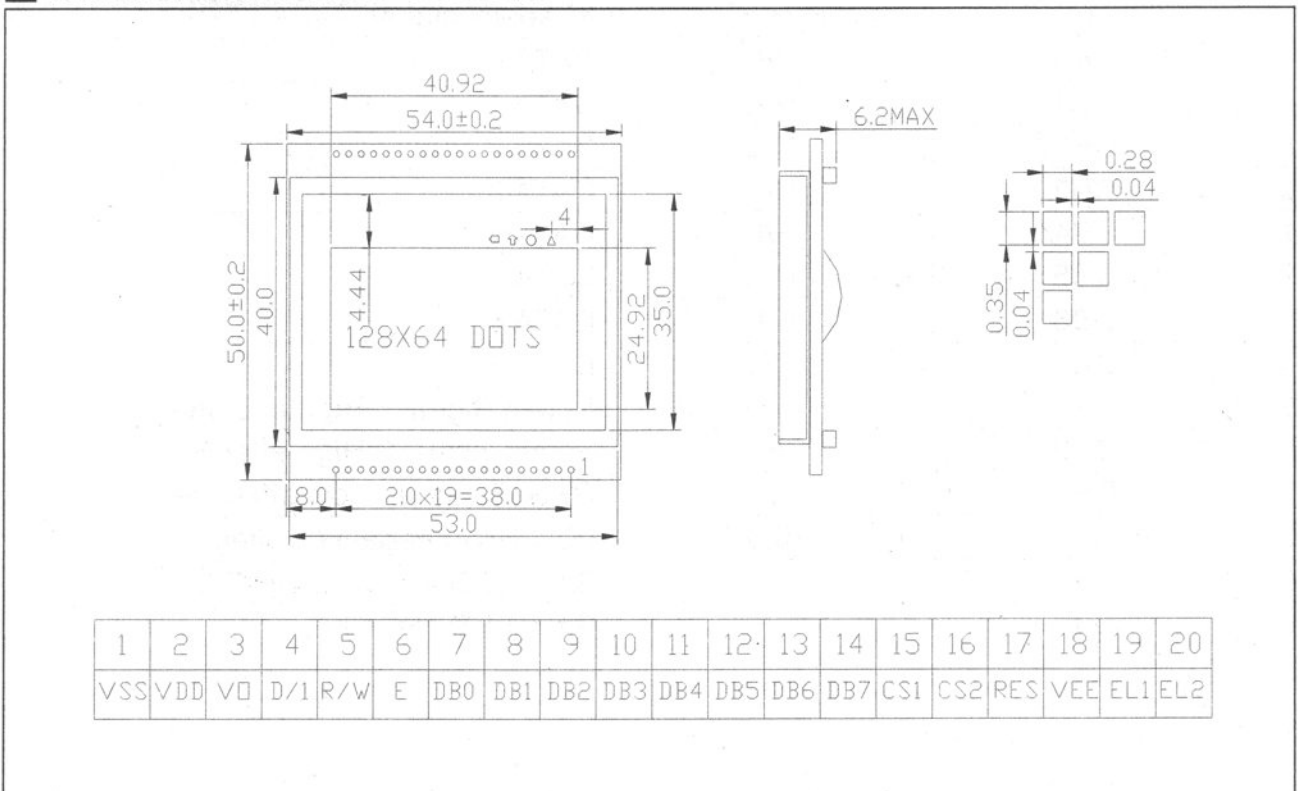
EL/100VAC, 400HZ

WITH EL DRIVER

APPLICATION CIRCUIT



DIMENSIONS/DISPLAY CONTENT



STANDARD GRAPHIC MODULES

LIMIT PARAMETER

PARAMETER	Symbol	Testing Criteria	Standard Values		UNIT
			MIN	MAX	
Supply Voltage	V _{DD-VSS}	Ta=25°C	0	6.5	V
LCD Voltage	V _{DD-V0}		0	15.0	V
Input Voltage	V _I		0	V _{DD}	V

ELECTRIC PARAMETER

PARAMETER		Symbol	Testing Criteria	Standard Values			UNIT
				MIN	Typical	MAX	
Voltage	LOGIC	V _{DD-VSS}	-	4.75	5.0	5.25	V
	LCD	V _{DD-V0}	-	-	9.5	-	V
Current	LOGIC	I _{DD}	-	-	4.0	-	mA
	LCD	I _{EE}	-	-	3.0	-	mA
LCD Drive Voltage (recommend)			0°C	-	10.5	-	V
			25°C	-	9.5	-	V
			40°C	-	8.5	-	V
Input Voltage	'H' Level	V _{IH}	High	0.7V _{DD}	-	V _{DD}	V
	'L' Level	V _{IIL}	Low	0	-	0.3V _{DD}	V

PIN CONFIGURATION

PIN	SYMBOL	LEVEL	INSTRUCTION
1	V _{SS}	0V	Ground contact (GND)
2	V _{DD}	5.0V	Power Supply Voltage
3	V ₀	LCD Drive Voltage	Adjust Contrast
4	D/I	H/L	H:DATA; L:COMMAND
5	R/W	H/L	H:READ; L:WRITE
6	E	H,H→L	IC select signal
7	DB0	H/L	DATA 0
8	DB1	H/L	DATA 1
9	DB2	H/L	DATA 2
10	DB3	H/L	DATA 3
11	DB4	H/L	DATA 4
12	DB5	H/L	DATA 5
13	DB6	H/L	DATA 6
14	DB7	H/L	DATA 7
15	CS1	H	Select Signal 1,High effective
16	CS2	H	Select Signal 2,High effective
17	RST	L	RESET signal, Low effective
18	V _{EE}	-10.0V	LCD driving negative voltage
19	EL1	H/L	EL Controller
20	EL2		EL INPUT(OR NC)