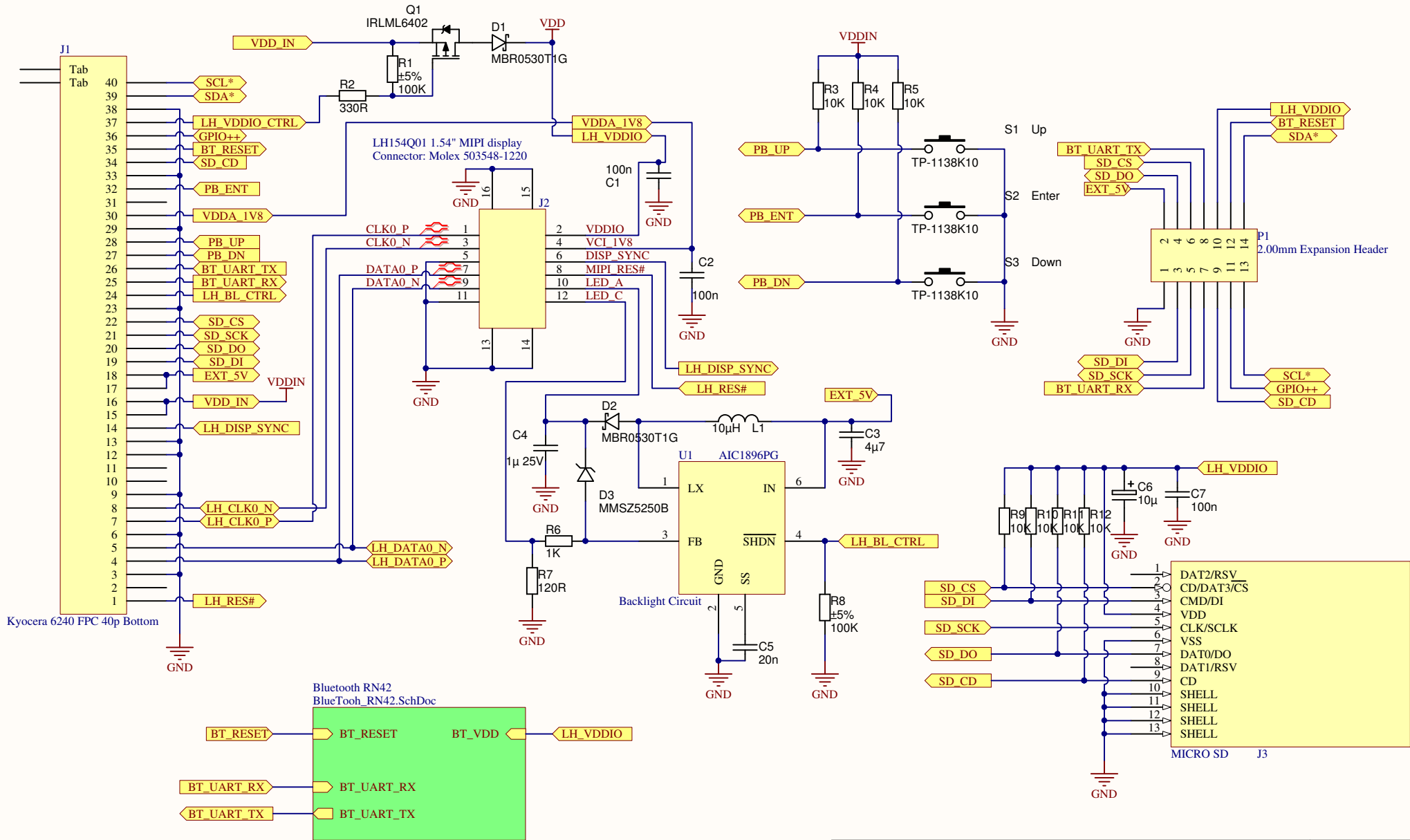


Title * LH154Q01 1.54" MIPI Application Module Bluetooth module		* * * * *
Size: A4	Number:*	Revision:*
Date: 1/16/2014	Time: 6:35:54 PM	Sheet *1 of * 2
File: D:\projects\SSD28X5\ADLH154Q01 - R2\BlueTooh_RN42.SchDoc		* * * * *

TECHTOYS CO.
www.TechToys.com.hk





Title * LH154Q01 1.54" MIPI Application Module

Size: A4	Number:*	Revision:*
Date: 1/16/2014	Time: 6:35:54 PM	Sheet#2 of * 2
File: D:\projects\SSD28X5\ADL\LH154Q01 - R2\LH154Q01 AppModule R2.SchDoc		01112013

* www.TechToys.com.hk

